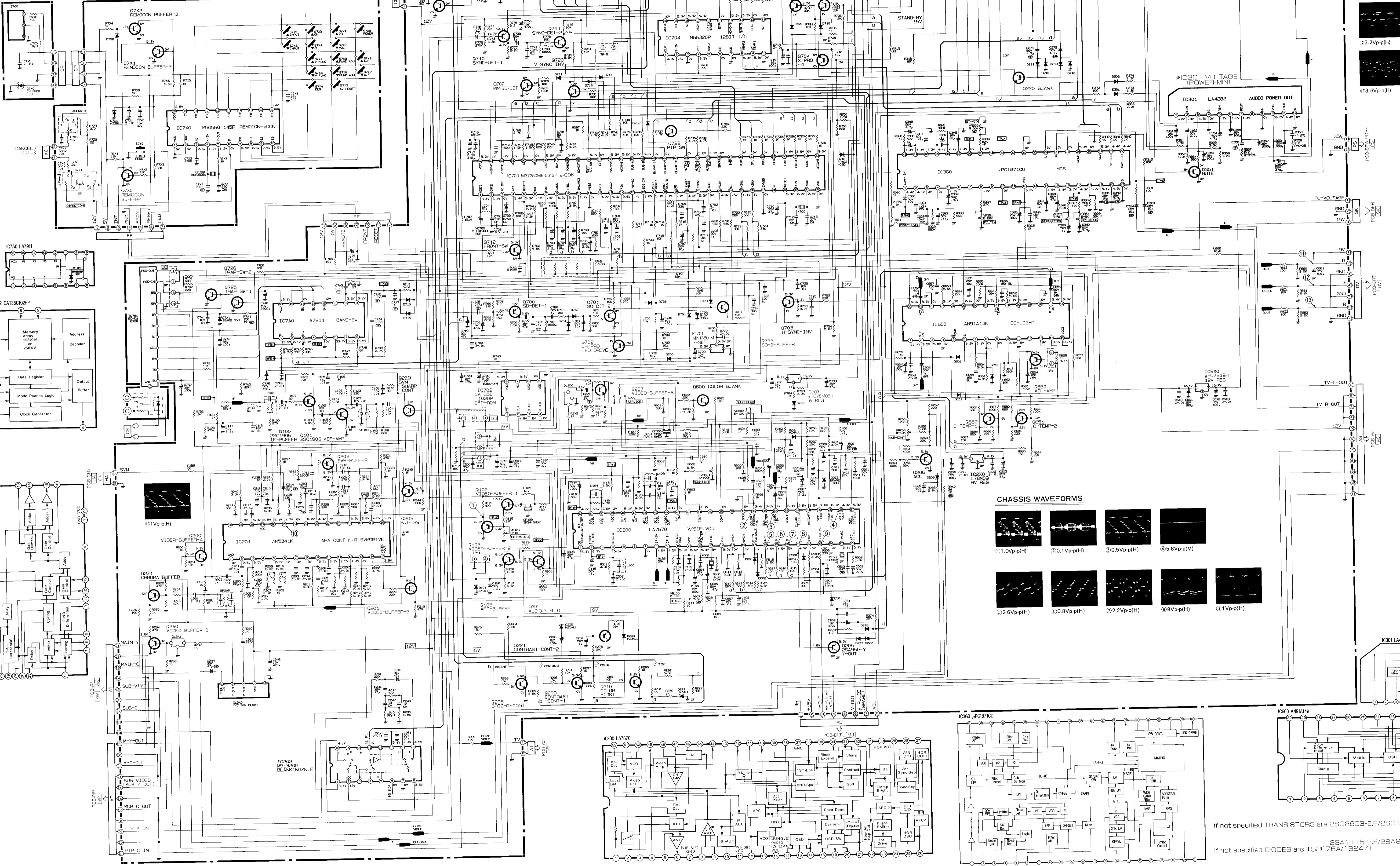


PCB-LED

PCB-CONTROL

PCB-SIGNAL



SCHEMATIC DIAGRAM

MODEL : CK-3526R/CK-3527R

NOTE 1:

- The unit of resistance is "ohm" with no symbol. Accordingly, K = 1000 ohms, M = 1000K ohms.
- The wattage of resistors, if not specifically designated, is 1/4 or 1/8 watt.
- Resistors, if not specifically designated, are carbon resistors.
- The marks of resistors are as follows:
 - CE : Cemented resistor
 - MB : Metal oxide film resistor (type B)
 - MPC : Metal plate cement resistor
 - CM : Cement metal oxide film resistor
 - FC : Fixed composition resistor
 - W : Wire wound resistor
 - MF : Metal film resistor
- The tolerance of resistor value is: Not specified = ±5%, K = ±10%, M = ±20%.
- The unit of capacitance, if not specifically designated, is: a) μF, for numbers less than 1; b) PF, for numbers more than 1.
- Capacitors, if not specifically designated are Ceramic capacitors except electrolytic capacitors.
- The marks of capacitors are as follows:
 - ALM : Aluminum electrolytic capacitor
 - MP : Polyester capacitor
 - PP : Polypropylene film capacitor
 - TANT : Tantalum capacitor
 - TF : Twin film capacitor
 - MFPP : Polyester polypropylene film capacitor
 - MPP : Metallized plastic film capacitor
 - NP : Non polarized electrolytic capacitor
 - SC : Semi conductor capacitor
 - PS : Styrol capacitor
 - +
- The DC working voltage of capacitor, if not specifically designated is: 50V.
- The tolerance of capacitor value, if not specifically designated is: ±10% for polyester capacitor, ±5% for ceramic capacitor, and J = ±5%, K = ±10%, M = ±20%, P = ±100%, Z = ±20%, N = ±30%, C = ±0.25PF, D = ±0.5PF, F = ±1PF, Z = ±20%.

SPECIFIC SYMBOL

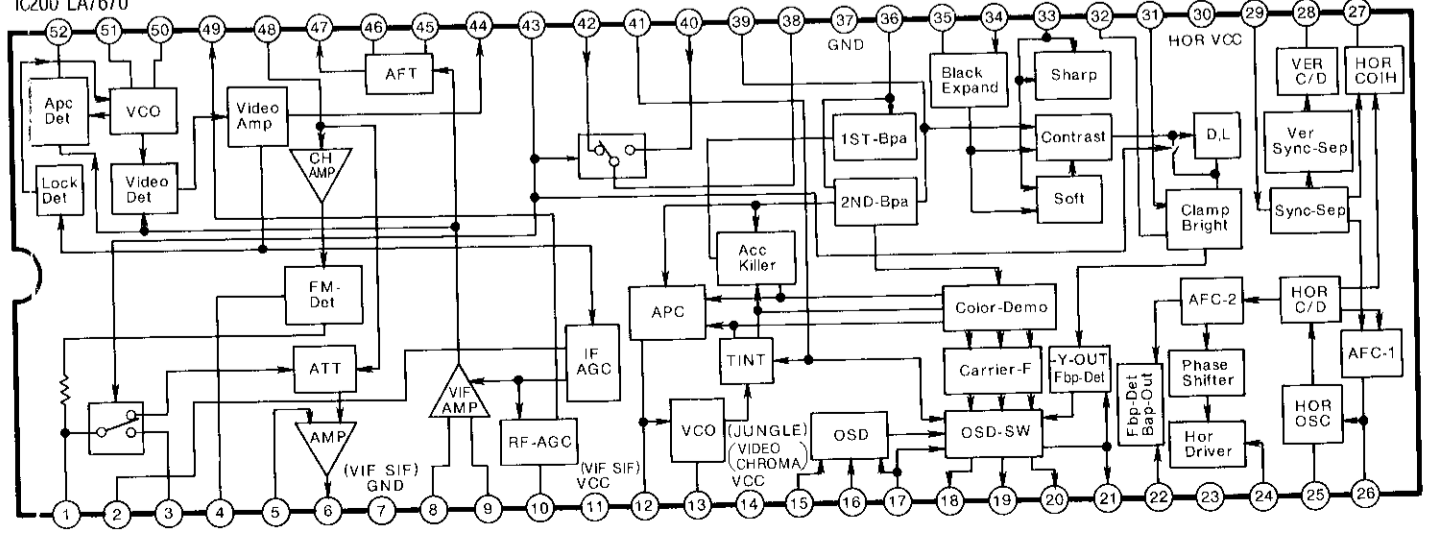
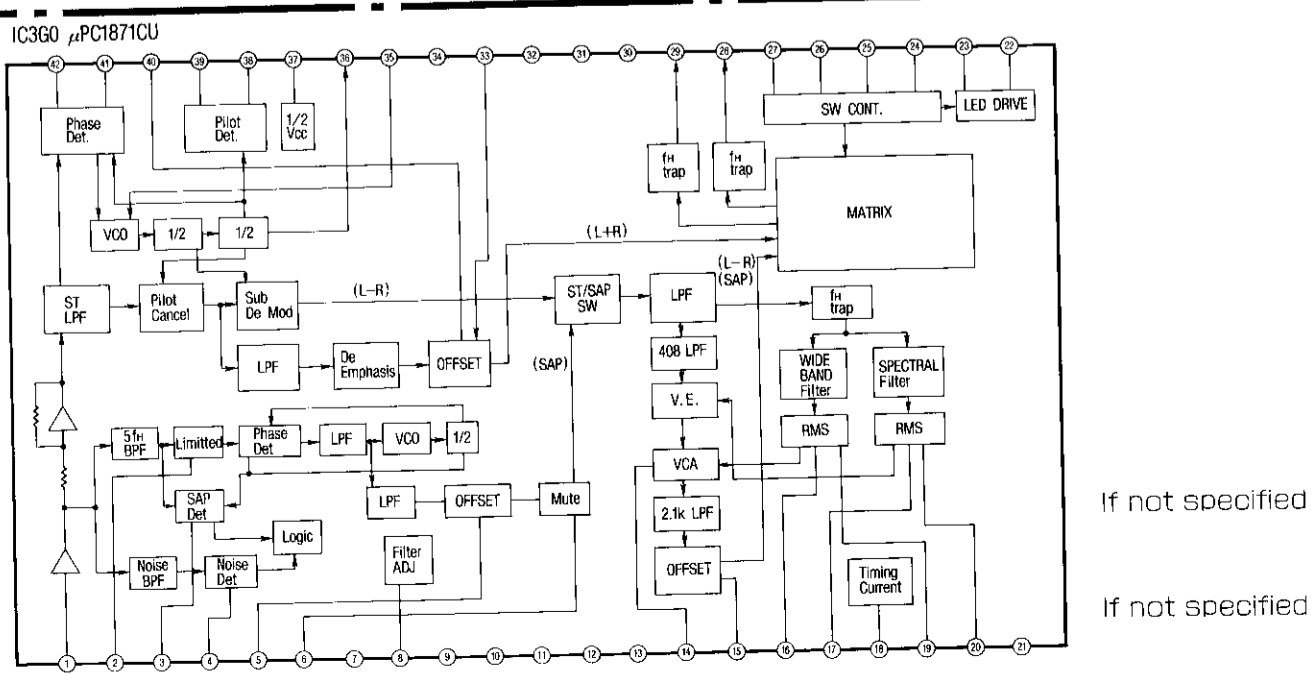
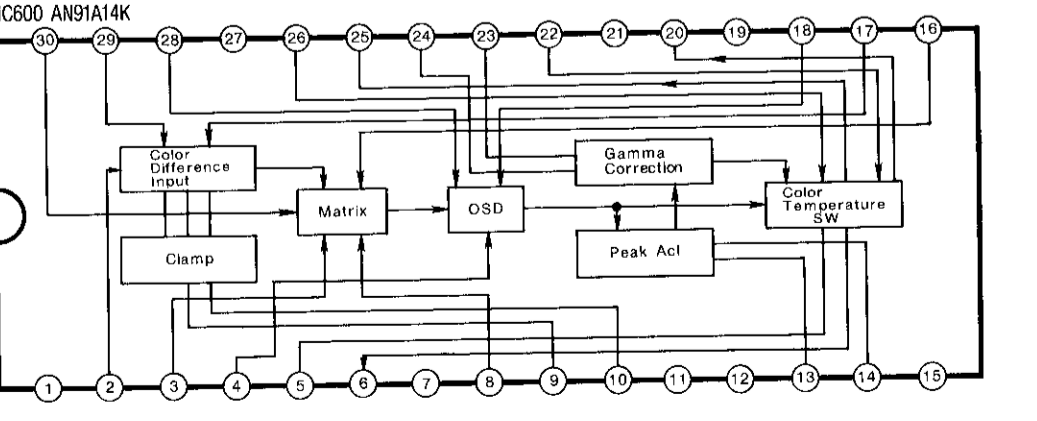
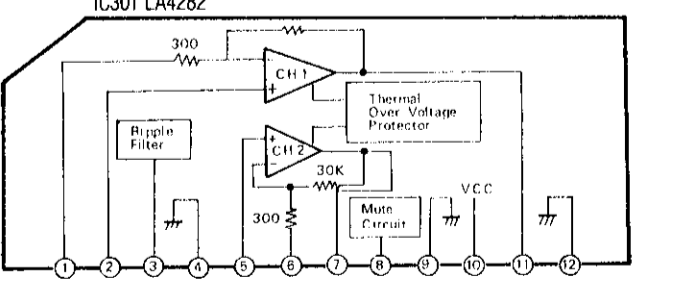
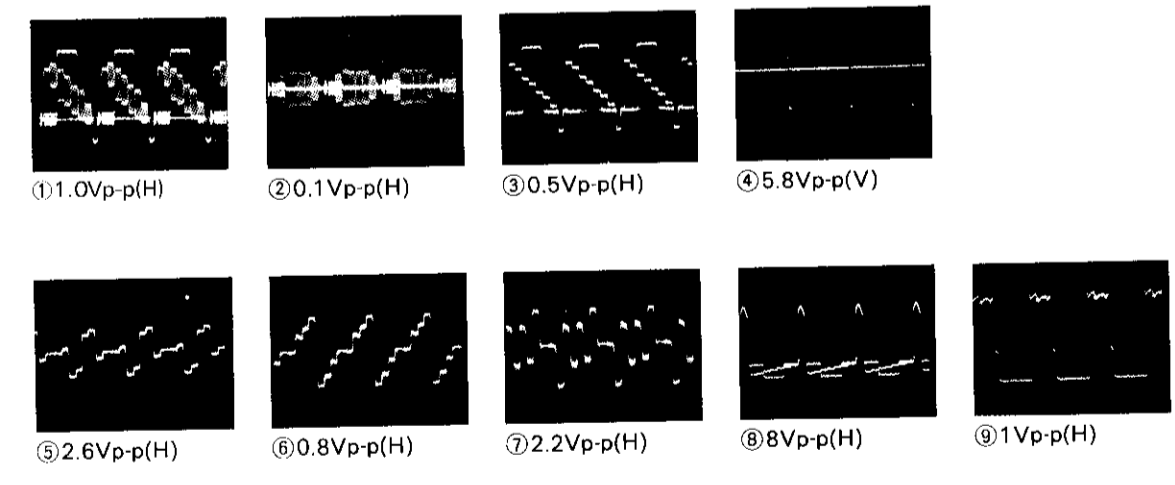
- NOTE 2:**
- DC voltages were measured from points indicated to the circuit ground with a digital voltmeter. Line voltage at 120V AC on signal applied.
 - Waveforms were taken with N TSC color bar signal.
 - This is a basic schematic diagram. Some sets may be subject to modification according to engineering improvement.

SHADED COMPONENTS HAVE SPECIAL CHARACTERISTICS IMPORTANT TO SAFETY. BEFORE REPLACING ANY OF THESE COMPONENTS READ CAREFULLY THE PRODUCT SAFETY NOTICE IN THE SERVICE MANUAL. DON'T DEGRADE THE SAFETY OF THE RECEIVERS THROUGH IMPROPER SERVICING.

SERVICE MAN WARNING
 X-RADIATION PRECAUTION
 THIS PRODUCT INCLUDES CRITICAL ELECTRICAL AND MECHANICAL PARTS ESSENTIAL FOR X-RADIATION PROTECTION.
 TO AVOID POSSIBLE EXPOSURE TO X-RADIATION TAKE X-RADIATION PROTECTIVE MEASURES FOR PERSONNEL DURING SERVICING.
 SEE SERVICE INSTRUCTIONS FOR SPECIFIED REPLACEMENT PARTS AND SERVICE ADJUSTMENTS.

Printed in U.S.A.
 CK-3526R
 CK-3527R(1/3)

CHASSIS WAVEFORMS



If not specified TRANSISTORS are 2SC2603-EF/2SC1740S-RS NPN TYPE
 2SA1115-EF/2SA933S-RS PNP TYPE
 If not specified CODES are 1S2076A/1S2471